

SR-B 21

Compact, heavy duty TIG torch



The major characteristics of the SR-B torch family is its quality. The torches are designed to provide the utmost in convenience, versatility and ergonomics to the user.

The SR-B 21 has pioneering technology inside and is dedicated to professional end-users looking for an extremely high performing torch, with extraordinary small torch neck-to-head dimensions providing the ability to weld in the tightest spaces with maximum precision. The ball joint allows free movement in all directions without torsion of the cable assembly.

The compact size of SR-B 21 and high performance power rating makes this torch an exceptional tool for hand-held TIG welding.

- Equipped with the new Precision Switch technology allowing for precise operation with optimised ergonomics.
- Extensively tested and a proven, compact design with high durability
- Extra large cooling channels ensures much higher duty cycle than standard SR-B 20 style torch head.
- Same wear parts as SR-B 20 and previous TXH 251/252

Visit esab.com for more information.

Industry

- Aerospace
- Automotive
- Food and Beverage
- Light Fabrication
- Marine and Offshore
- Petrochemical
- Pipeline
- Steel Industry
- Tank and Vessel Fabrication



The torches are also available with up/down function for ESAB CAN-bus controlled machines. (requires separate adapter – see fact sheet for individual machines).

SR-B 21

Specifications

Welding Output AC / DC 100% Duty Cycle	240 A AC / 340 A DC
Electrode Ø	0.5 - 3.2 mm
Cable Length	4 m, 8 m, 12 m, 16 m
Cooling	Water

Ordering Information

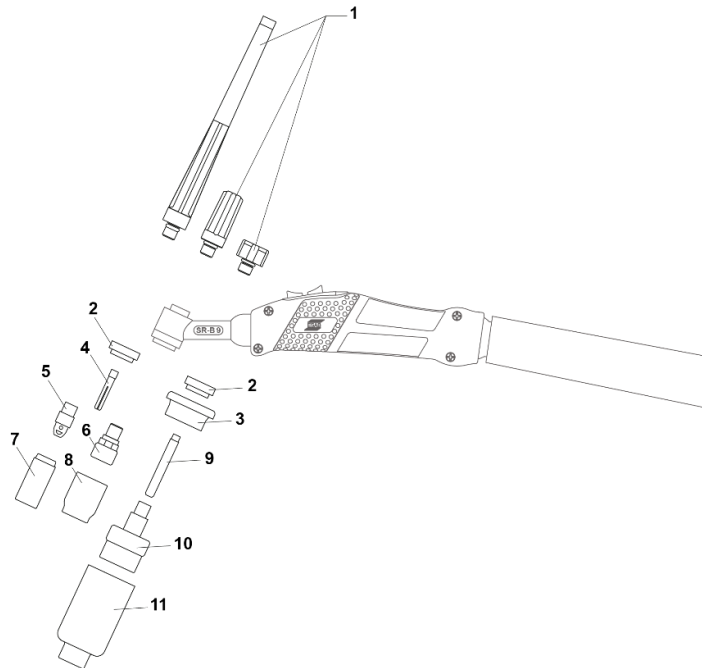
Torch	Cooling	OKC 50, 2-pin amphenol plug			
		4 m	8 m	12 m	16 m
SR-B 21	Water	0700025544	0700025545	0700025546	0700025547
SR-B 21FX	Water	0700025548	0700025549		0700025558
SR-B 21FX-R	Water	0700025573	0700025574		

FX = Flexible head R= Remote

Options & Accessories

Accessory kit 1.6 mm for SR-B 9, SR-B 20, SR-B 21	0700025643
Accessory kit 2.4 mm for SR-B 20, SR-B 21	0700025626

For complete list of wear parts please see separate fact sheet ([XA002066](#)).



ESAB / esab.com

